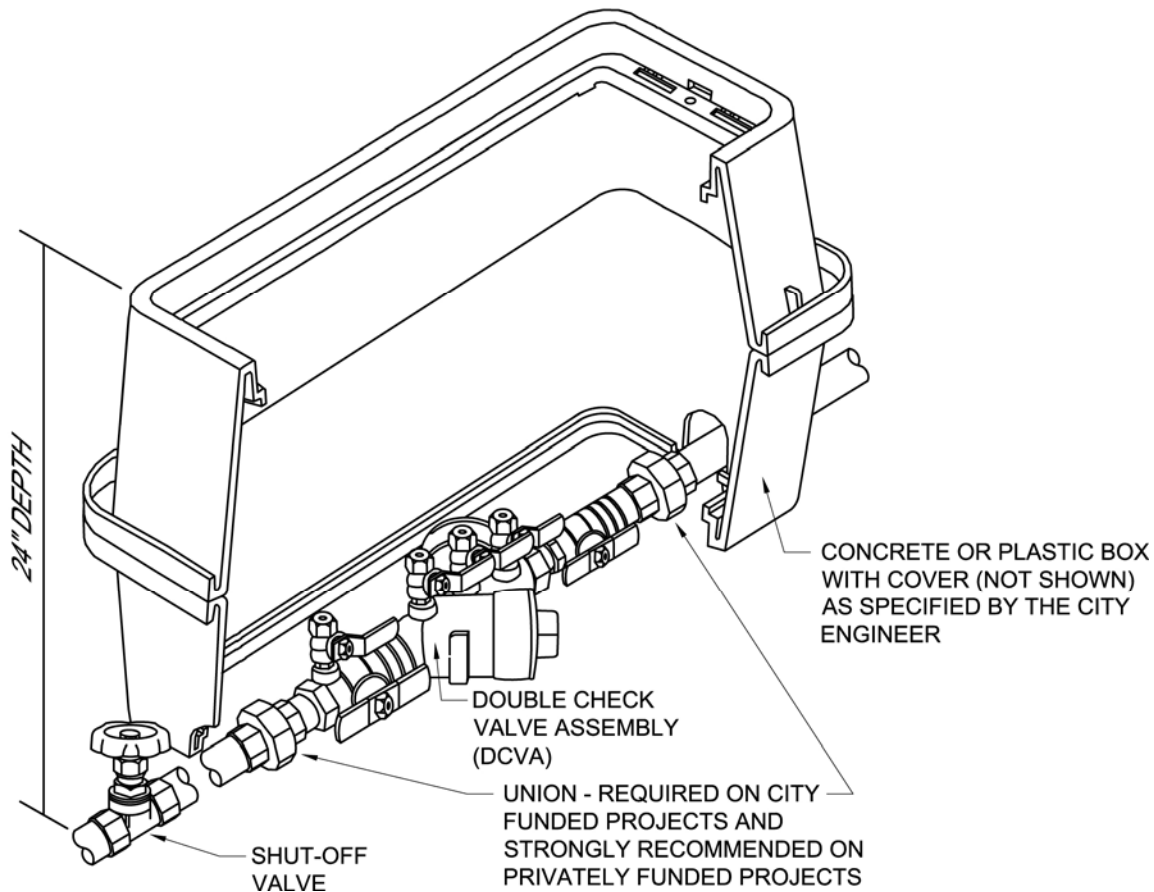


Typical Installation of “Y” Pattern Double Check Valve Assembly (DCVA)



Installation Requirements

1. When required, backflow prevention assemblies for the protection of the public water system shall meet the requirements set forth in the current Oregon Administrative Rules Chapter 333-061-0070, Oregon Plumbing Speciality Code, and City of Beaverton Code 4.02.160 and 4.02.165.
2. All boxes located in driveways and sidewalks shall have traffic covers.
3. Assemblies up to and including 1-inch shall be installed in Pacific Water Works meter box MBE #66 or equal. The assembly shall be readily accessible with adequate room for testing and maintenance. Assemblies larger than 1-inch and up to 2-inches shall be installed in an approved size box, with at least 6-inches of clearance on both sides and under the assembly. Assemblies larger than 2-inches are required to be installed in an approved vault. Call the City at 503-526-2220 for proper sizing.
4. When the assembly is installed below ground, the test ports **MUST NOT** be facing downward. The test ports must be plugged with threaded plugs. No dissimilar metals for plugs.
5. The DCVA shall not be installed at a depth greater than 24-inches; plumbing code requires 24-inches, allowing for freeze protection.
6. The DCVA shall be tested by a State-certified tester following installation and annually thereafter, and when moved or repaired.

7. Oregon Administrative Rules require installation at the service connection where an approved air gap does not exist.
8. A plumbing permit is required to install an irrigation sprinkler system.
9. Upon completion of installation, the City of Beaverton shall be notified within 24 hours for City personnel to inspect the installation.